

Ghost Pendant Round

boyd



Shown in Dark Bronze

DENNIS MILLER ASSOCIATES
200 Lexington Avenue Suite 1210 New York, NY 10016
212.684.0070 Fax.212.684.0776 www.dennismiller.com

Ghost Pendant Round 36" & 48"

MODEL # 10702 (36"), 10703 (48")

Welded with great care is a hand-finished aluminum frame which holds an acrylic diffuser. In the off position, the Ghost is transparent. Turn it on and it mysteriously becomes opaque. When LEDs illuminate the sides of the acrylic diffuser, light reflects up and down. Ghost is made-to-order by hand in Colorado. Designed by Doyle Crosby.

MATERIALS

Hand-finished aluminum and acrylic diffuser in clear or micro-etched dots.

FINISHES

Satin Aluminum, Dark Bronze (shown), Black Granite and Cloud.

LAMPING

81 watt LED lamps (included) offer 2700°k or 3500°k, 90+ CRI illumination consuming ~6,500 lumens at 120 or 277v. Fixture can be dimmed using 0-10v low-voltage dimming controls and wiring.

DIMENSIONS

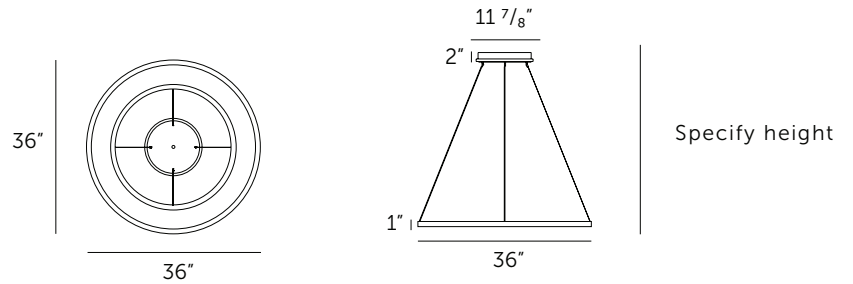
36": Dia. 36" x H 1"
 Dia. 91 cm x H 5 cm
 48": Dia. 48" x H 1"
 Dia. 122 cm x H 5 cm

WEIGHT

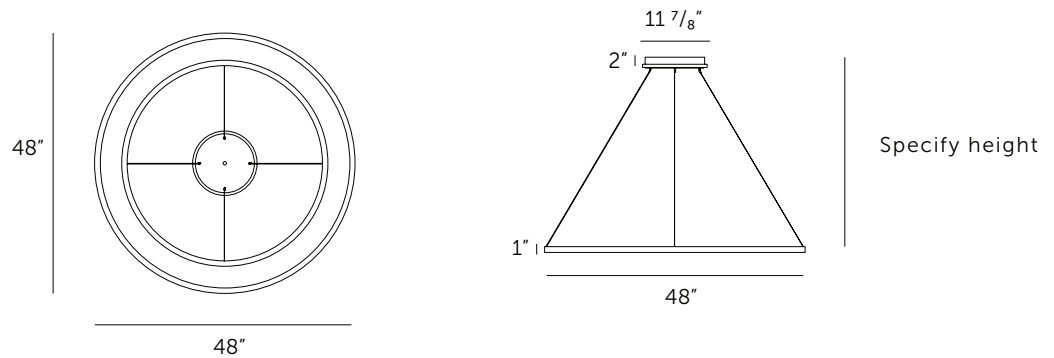
12 lbs.
 5.5 kg.
 16 lbs.
 7.3 kg.

NOTES

- Height Overall: 30"-54"; 76-137 cm
- Lead Time 10-12 weeks
- UL listed (or equivalent) for damp locations
- Tunable LEDs coming Fall 2019.
- Stainless steel aircraft cables can be minimally adjusted on-site via spring-loaded cable grips.
- For 50% uplight and 50% downlight, choose the clear acrylic. For 60% uplight and 40% downlight, choose the micro-etched dot pattern.



Specify height



Specify height



DENNIS MILLER ASSOCIATES
 200 Lexington Avenue Suite 1210 New York, NY 10016
 212.684.0070 Fax.212.684.0776 www.dennismiller.com