



Shown in Burnished Bronze

Pueblo Sconce

MODEL # 10699

Ambient light reveals itself from behind the folds of asymmetrical, hand-finished bronze. Pueblo is made-to-order by hand in Colorado. Designed by Deirdre Jordan.

MATERIALS

Hand-finished brass.

FINISHES

Burnished Bronze (shown) and Cloud (shown).

LAMPING

4.6 watt LED lamps (included) offer 2700°k, 90+ CRI illumination, consuming ~300 lumens at 120 or 277v. Upcharges apply for dimming.

DIMENSIONS

W 6½" x H 12" x D 1¾"

W 16.5 cm x H 30.5 cm x D 44 mm

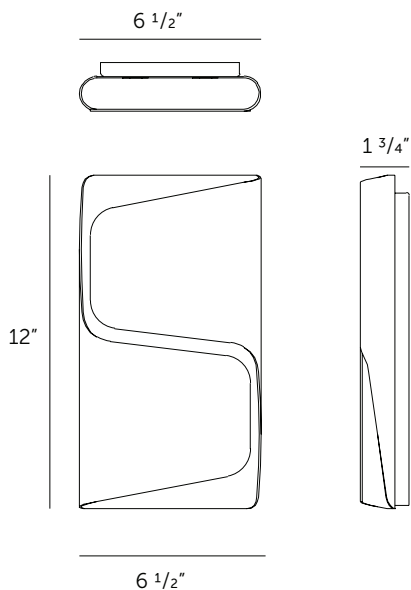
WEIGHT

5 lbs.

2.3 kg.

NOTES

- Backplate: W 11½" x H 5" (29.2 cm x 12.7 cm)
- Center of outlet box to top of fixture: 6" (15.2 cm)
- Lead Time 6-7 weeks
- ADA compliant at any mounting height
- UL listed (or equivalent) for damp locations



DENNIS MILLER ASSOCIATES
200 Lexington Avenue, Suite 1210, New York, NY 10016
212.684.0070 Fax.212.684.0776 www.dennismiller.com