



Shown: Deep brown oxide and Opal white glass.

MODEL NUMBER
2320

DESCRIPTION
Mold blown glass shade, copper or brass ceiling plate and hardware.

FINISH
Deep brown oxide, Deep black oxide, Satin nickel, or Natural brass.

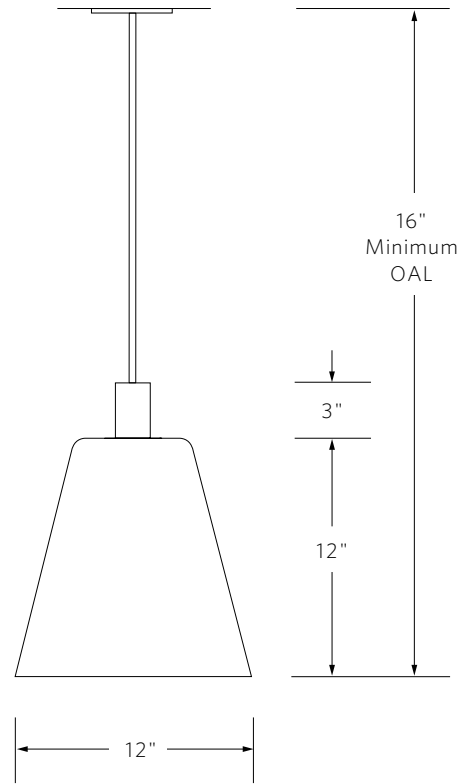
MOLD BLOWN GLASS
Helbeige, Opal white or Quicksilver.
Inside and outside acid etch.

DIMENSIONS	MIN OAL	NET WT
12"Ø x 15"H	16" Min. OAL	15 lbs.
Ceiling Plate: 4.5"Ø x .25"D		
Shade: 12"Ø x 12"H		

VOLTAGE / LAMP TYPE
120V, 8W, E26 base, G40, LED lamp, frosted.
3,000°K, 90 CRI, 800 lumens.

CA Title 24-JA8-2016-E

PLEASE SPECIFY
Finish, shade color & OAL (net price includes stem for an OAL of up to 48"). Refer to price book for additional stem length. Stem OAL cannot be adjusted in the field at installation.



Ceiling plate

