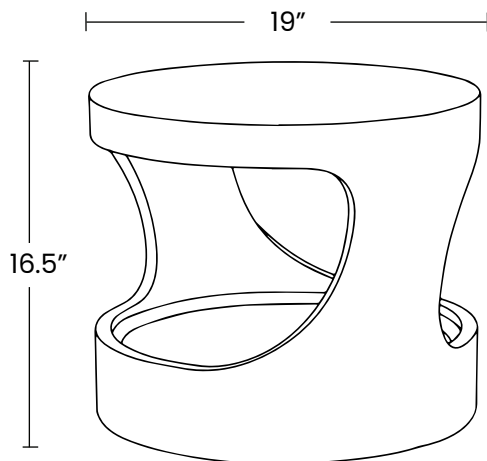




# OSO CREATIONS



## OPEN ROLLERBOY

With its clean lines and contemporary silhouette, the Open Rollerboy adds an understated elegance to any space. The table's thoughtfully designed opening offers a place for your belongings.

### DIMENSIONS

HEIGHT: 16.5"  
DIAMETER: 19"

WEIGHT  
70lbs

### MATERIALS

Integrally colored cast concrete using recycled clear crushed glass

### CUSTOMIZATIONS

The Open Rollerboy comes in the Crushed Glass finish in our 12 standard colors.



Custom sizes and colors are available upon request.

MADE IN NYC