



Shown: Deep brown oxide and Opal white glass.

MODEL NUMBER

1210

DESCRIPTION

Kiln formed outer glass shade, mold blown inner glass diffuser, copper hardware and ceiling plate.

FINISH

Deep brown oxide, Deep black oxide, or Satin Nickel.

KILN FORMED/BLOWN GLASS

Outer glass: Clear*, Opal white, Pale gold*, Sand* or Seeded opal.

Inner diffuser: Opal white or Clear*.
(Inside acid etch).

DIMENSIONS

20"Ø x 9.25" fixed height.

Ceiling plate: 5.5"Ø x .25"D

Diffuser: 6"Ø

NET WT

20 lbs.

VOLTAGE / LAMP TYPE

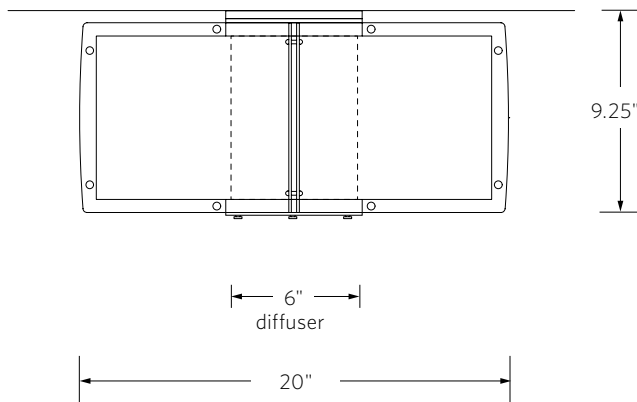
120V, 17W, E26 base, A21 LED lamp, frosted.
2,700°K, 92 CRI, 1,600 lumens.

CA Title 24-JA8-2016

PLEASE SPECIFY

Finish, shade color.

SIDE



ceiling plate

