

Volterra Illuminated Mirror

boyd



Shown in Satin Brass

Volterra Illuminated Mirror

MODEL #10808, 10809

Rectangular mirror framed with illuminated hand-cut alabaster that emits a warm ambient light. Available in two sizes, with custom sizes available upon request. Designed by Doyle Crosby.

MATERIALS

Brass, Alabaster.

FINISHES

Satin Brass, Blackened Brass, Antiqued Boyd Brass, Satin Nickel.

LAMPING

#10808 Small

LED 32 watts Standard 2700K/90+ CRI ~1200 fixture lumens. Universal 120v-277v. Lamp included with fixture.

#10809 Large

LED 40 watts Standard 2700K/90+ CRI ~1500 fixture lumens. Universal 120v-277v. Lamp included with fixture.

3000°k color temperatures are available. The LED lamps standard in this fixture can be dimmed with ELV; or MLV; or 0-10v low-voltage dimming controls and wiring.

DIMENSIONS

Small: H 42.62" x W 30.5" x Projection 2.75" 110 lbs.
H 1083 mm x W 775 mm x Projection 70 mm 49.9 kg

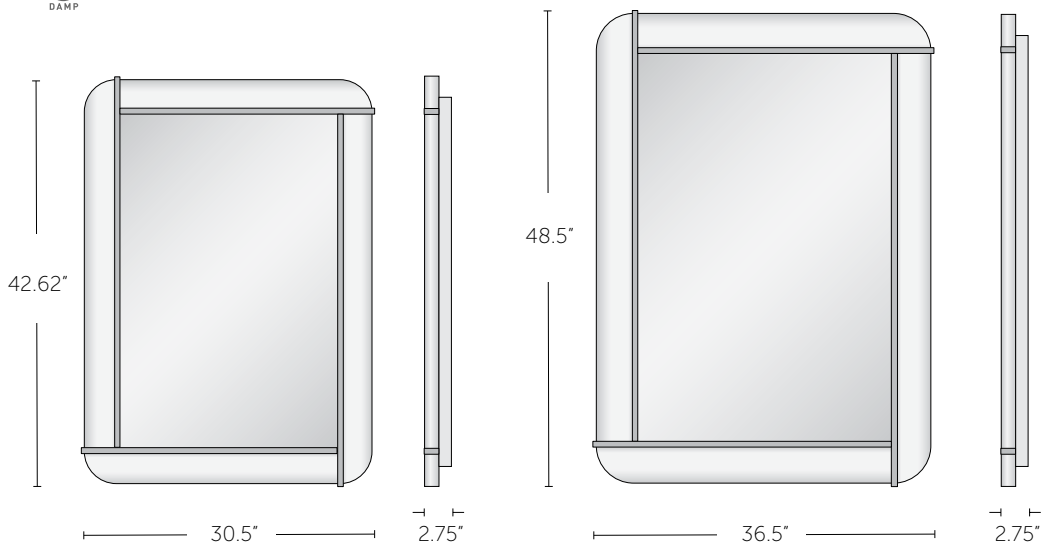
Center of outlet box to top of fixture: 21.25" (540mm)

Large: H 48.5" x W 36.5" x Projection 2.75" 173 lbs.
H 1232 mm x W 927 mm x Projection 70 mm 78.5 kg

Center of outlet box to top of fixture: 24.25" (616mm)

NOTES

- UL listed (or equivalent) for damp locations
- ADA compliant at any mounting height
- There will be some variation in color and veining of alabaster.



DENNIS MILLER NEW YORK
200 Lexington Ave. Suite 1210. New York, NY 10016
212.684.0070 Fax. 212.684.0776 www.dennismiller.com