



Shown: 48" model in Deep bronze anodized finish and Opal white glass.

WING LINEAR SUSPENSION

MODEL NUMBER
4520

DESCRIPTION

Anodized aluminum frame with cut glass and polished aluminum reflectors. Cable Suspension.

FINISH

Deep bronze anodized or Silver anodized.

KILN FORMED GLASS

Clear or Opal white.

DIMENSIONS	MIN OAL	NET WT
4520.48 24"W x 48"L x 2"H	24" Min. OAL	20 lbs.
4520.60 24"W x 60"L x 2"H	24" Min. OAL	25 lbs.
4520.72 24"W x 72"L x 2"H	24" Min. OAL	30 lbs.

CEILING PLATE

4.5"Ø x .25"D

VOLTAGE / LAMP TYPE

Integrated LED, 24V, 2,700°K, 98 CRI Ra / 93 CRI R9
94 TM30 Rf / 101 TM30 Rg. 30,000 hr.

120V to 24V dimmable driver included.
Must be located in remote cubby / crawl space.

4520.48 64W, 2,700°K, 98 CRI, 5,584 lumens.
4520.60 80W, 2,700°K, 98 CRI, 6,980 lumens.
4520.72 96W, 2,700°K, 98 CRI, 8,376 lumens.

CA Title 24-JA8-2016

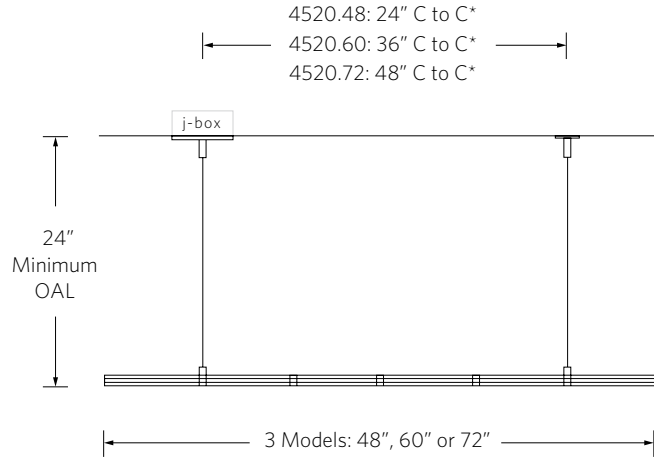
PLEASE SPECIFY

Size, finish, glass color & OAL (net price includes cable for an OAL of up to 48"). Refer to price book for additional cable length. OAL can be adjusted in the field at installation.

NOTE

*J-box is located off-center.

SIDE VIEW



END VIEW

