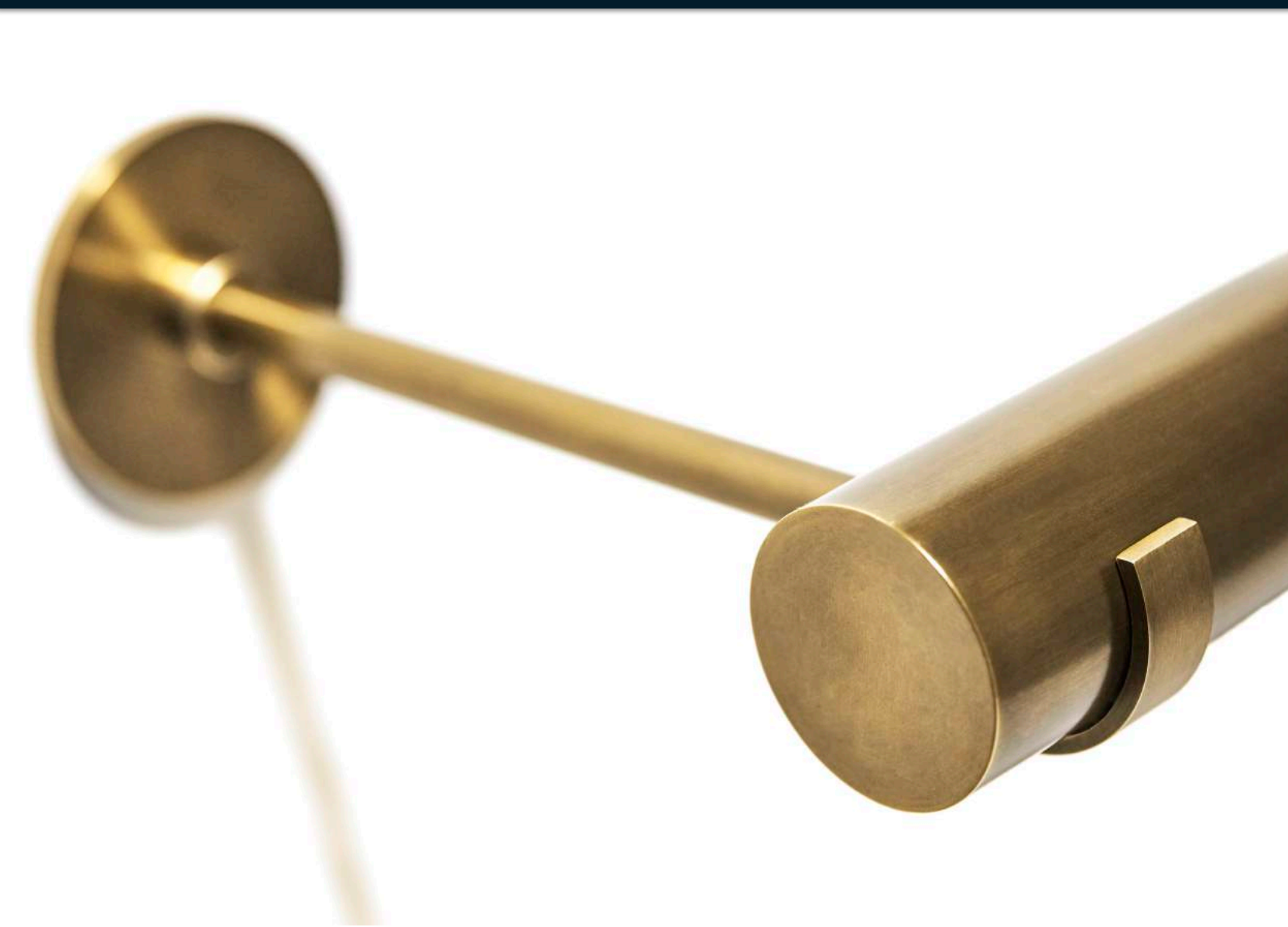




# HELD SERIES



**PRODUCT INFO**

Collection One Illuminates - Art Light Collection  
Product HELD SERIES  
Lead Time 4 - 6 weeks standard sizes/finishes. Custom lead time 6 - 8 weeks.

**SPECIFICATIONS**

Weight 2': 6lbs, 3': 8lbs., 4': 10lbs.  
Materials Aluminum  
Labeling CE/UL  
Electrical/Voltage 110-volts. No driver required  
Dimming 0-100%  
Color Temperature 2400k or 2700k (select temp. on order)  
Accessories 4x4 J-Box Cover Plate

**FINISHES (custom finishes available to-order)**

Shade Oil-Rubbed Bronze, Ant. Brass, White/Black Powdercoat  
Stem/Backplate Oil-Rubbed Bronze, Ant. Brass, Chrome, White/Black Powdercoat



Antique Brass



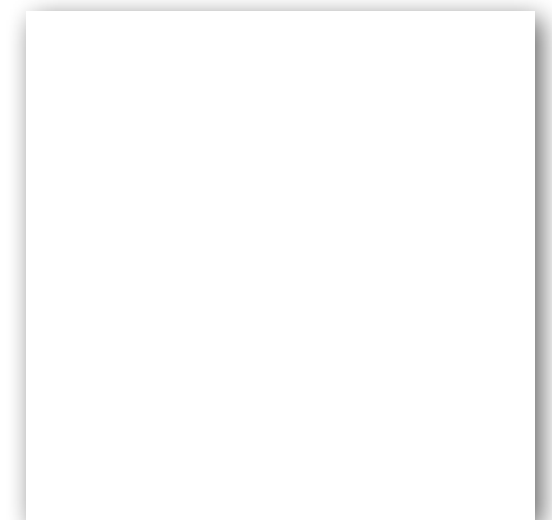
Oil-Rubbed Bronze



Polished Chrome



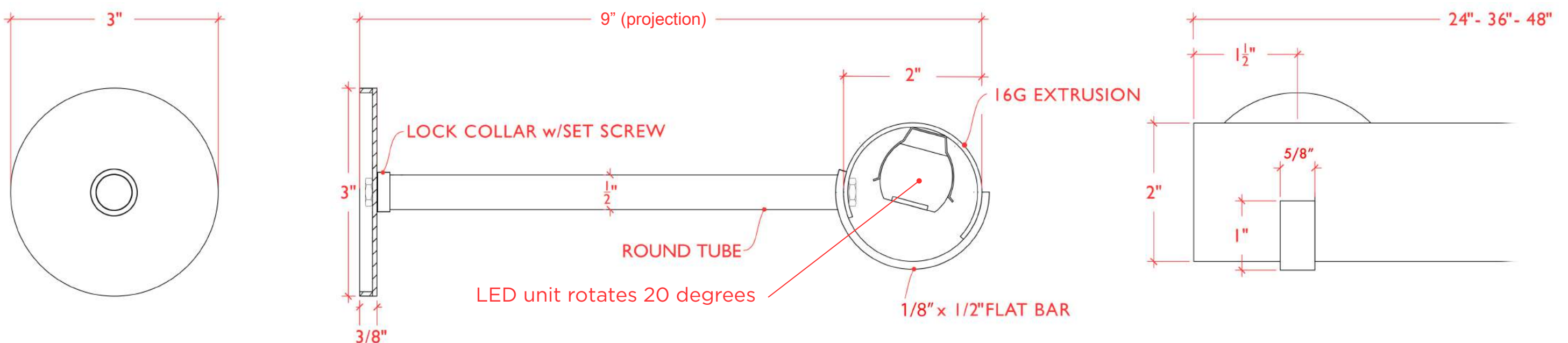
Black Powdercoat



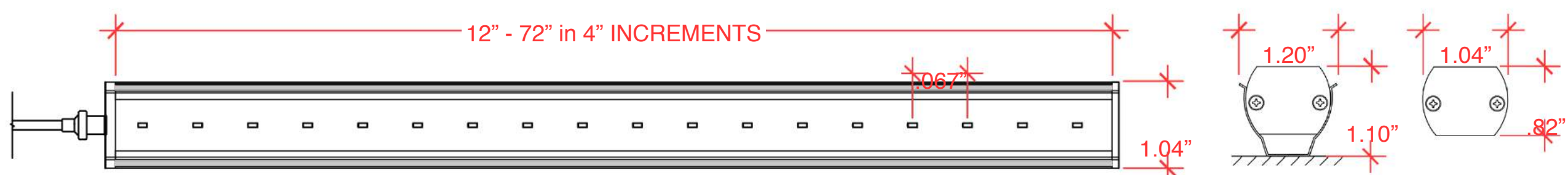
White Powdercoat

**FIXTURE DIMENSIONS: (custom sizes available to-order)**

Shade standard sizes: 24" - 36" - 48" Overall Shade Width (custom size to-order)  
Stem standard sizes: 9" Overall Projection from wall (custom size to-order)



**LED DIMENSIONS**





ANTIQUÉ BRASS / ANTIQUÉ BRASS



ANTIQUÉ BRASS / BLACK POWDERCOAT



POLISHED CHROME / WHITE POWDERCOAT



ANTIQUÉ BRASS / WHITE POWDERCOAT



BLACK / BLACK POWDERCOAT



BLACK / WHITE POWDERCOAT



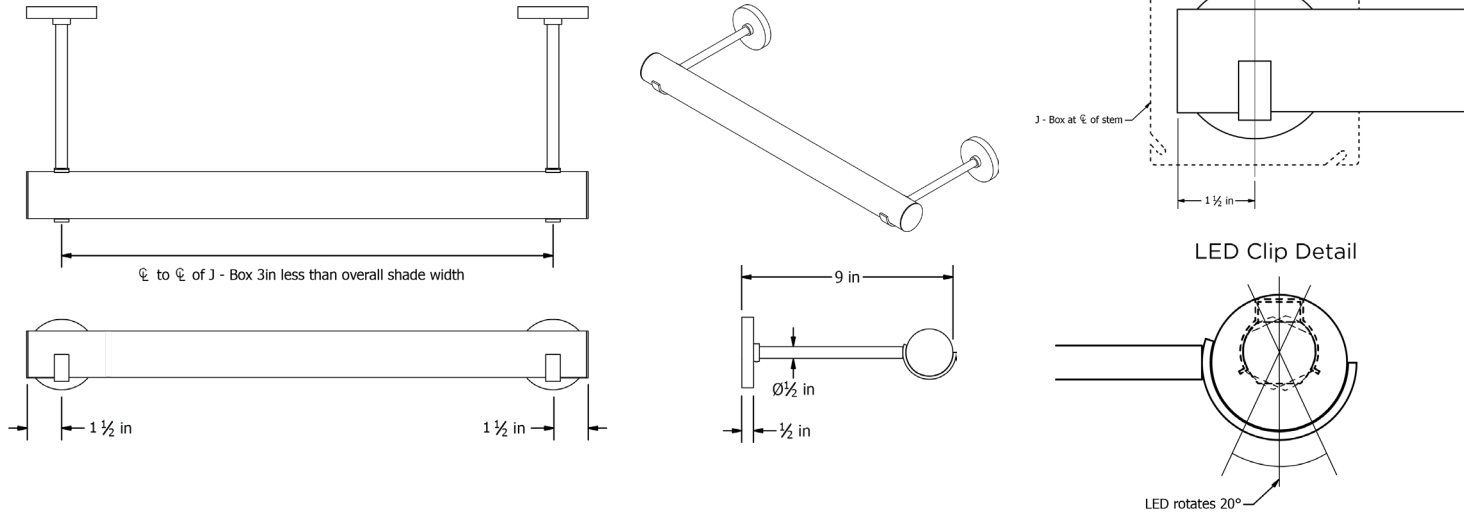
WHITE / WHITE POWDERCOAT



OIL-RUBBED BRONZE / OIL-RUBBED BRONZE

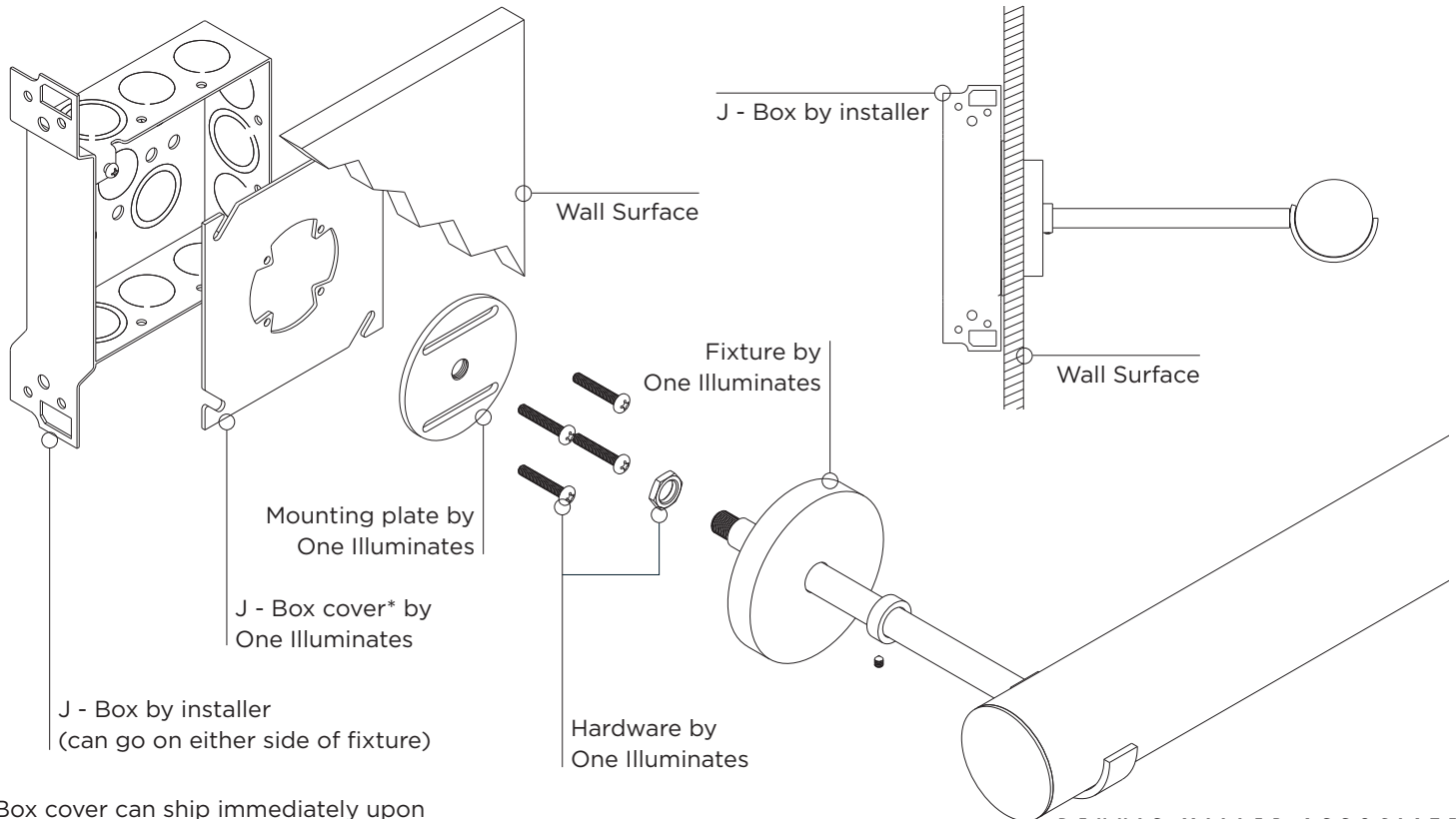
## FIXTURE DIMENSIONS

Shade standard sizes 24", 36", 48" (overall shade width)  
 Stem standard size 9" (overall projection from wall) [custom size to order]  
 Custom shade sizes 16" up to 144" in 4" increments



## Installation Guide

## Section View



\*J - Box cover can ship immediately upon purchase order for pre-installation