



Nested position



Extended with one leaf



Extended with two leaves



OBLIQUE TABLE

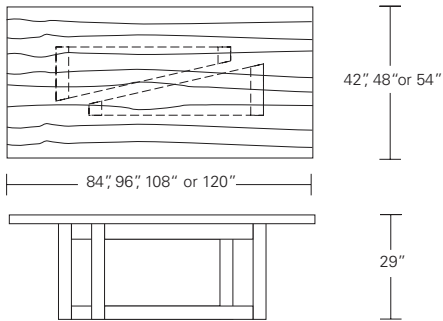
Shown in Cerused Grey Walnut.

**72W x 42D x 29H
(90W-1 LEAF, 108W-2 LEAVES)**

The Oblique Table rests on the juxtaposition of two wedge-like base forms. As leaves are added to the tabletop, the tandem bases create a series of harmonious compositions. Self-storing leaves can be incorporated into the table's design.

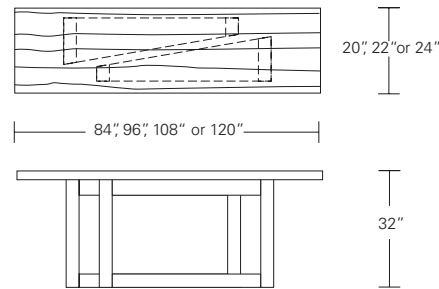


O B L I Q U E T A B L E



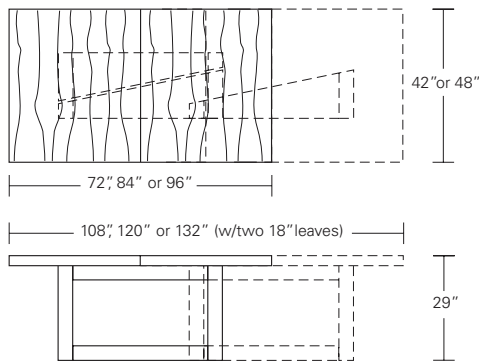
Oblique Table

84"W x 42"D x 29"H
96"W x 42"D x 29"H
108"W x 48"D x 29"H
120"W x 54"D x 29"H



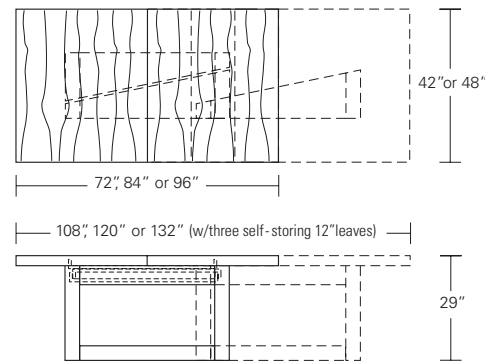
Oblique Console

84"W x 20"D x 32"H
96"W x 22"D x 32"H
108"W x 24"D x 32"H
120"W x 24"D x 32"H



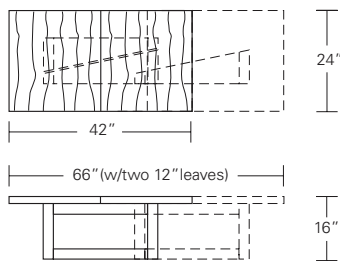
Oblique Extension Table

72"W (108" w/two 18" leaves) x 42"D x 29"H
84"W (120" w/two 18" leaves) x 42"D x 29"H
96"W (132" w/two 18" leaves) x 48"D x 29"H



Oblique Extension Table (with self storing leaves)

72"W (108" w/three 12" leaves) x 42"D x 29"H
84"W (120" w/three 12" leaves) x 42"D x 29"H
96"W (132" w/three 12" leaves) x 48"D x 29"H



Oblique Cocktail Table

42"W (66" w/two 12" leaves) x 24"D x 16"H

DESCRIPTION	FINISH OPTIONS		
	NATURAL	STAINED	CERUSED
<p>Oblique Table: Veneer top and base with thick veneer edging.</p> <p>Custom Orders: Custom sizes, woods, veneer patterns and finishes are available. Please request a price quotation.</p>	<p>Standard Finishes Ash, Cherry, Mahogany, Maple, Walnut, Claro Toned Walnut, Oak.*</p> <p>*At additional cost.</p>	<p>Medium Ash, Dark Ash, Burnt Ash, Ebonized Ash, Medium Cherry, Dark Cherry, Medium Mahogany, Medium Walnut, Dark Walnut, Ebonized Walnut, Grey Walnut, Silver Walnut.</p>	<p>Bleached Ash, Cerused Ash, Cerused Burnt Ash, Cerused Dark Ash, Cerused Mahogany, Cerused Dark Mahogany, Bleached Walnut, Cerused Walnut, Cerused Grey Walnut, Cerused Silver Walnut, Cerused Oak*.</p>