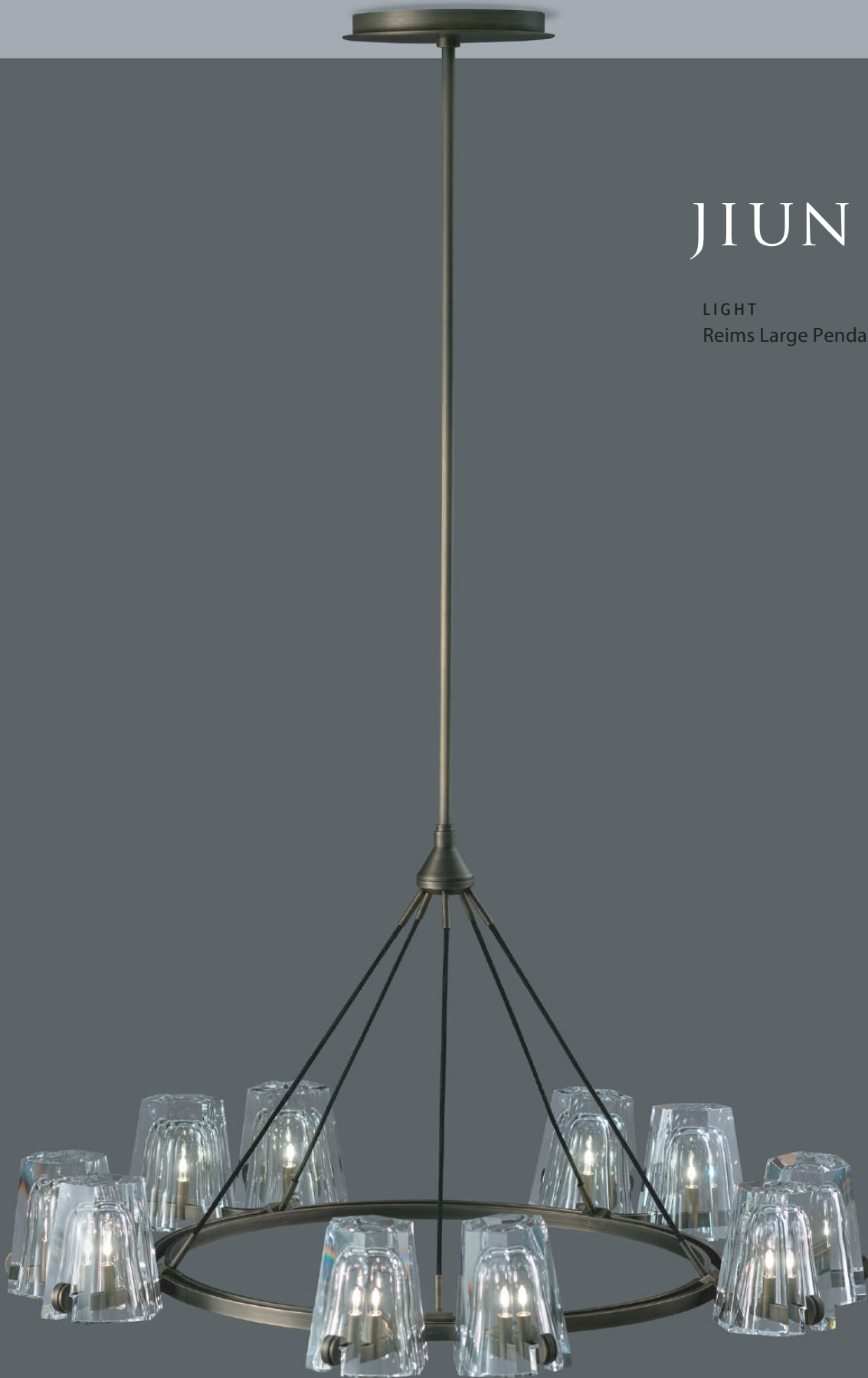


# JIUN HO

LIGHT  
Reims Large Pendant



# JIUN HO

## REIMS LARGE PENDANT

LT-PL-116-C

DIA 35.75" (908mm) H 21.5" (546mm)

### CEILING PLATE

DIA 10" (536mm) H 1" (25mm)

**ELECTRICAL** 10 x G8 4W Halogen Lamp

**SHADE** Crystal Glass

### STD OVERALL HEIGHT

24(610mm), 30(762MM), 36(914MM), 42(1067MM), 48(1219MM), 60(1524mm)

### FINISH (SHOWN)

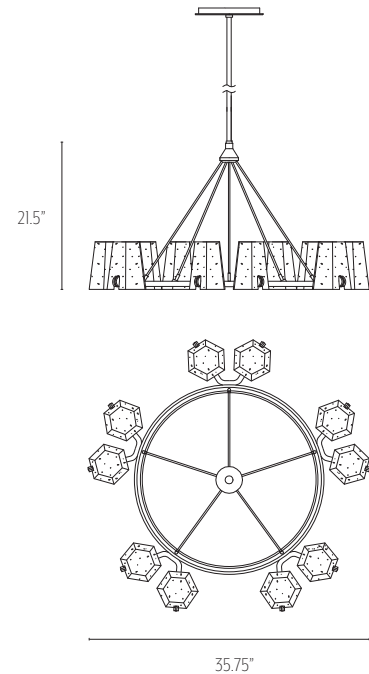
Cinnamon Bronze

### OTHER INFORMATION

UL approved (or equivalent)

Bulbs not included

For more information and finishes, visit our website



## DENNIS MILLER ASSOCIATES

200 Lexington Avenue Suite 1210 New York, NY 10016  
212.684.0070 Fax.212.684.0776 www.dennismiller.com