

JIUN HO

LIGHT

Reims Medium Pendant



JIUN HO

REIMS MEDIUM PENDANT

LT-PL-116-B

DIA 30" (762mm) H 17.25" (438mm)

CEILING PLATE

DIA 10" (536mm) H 1" (25mm)

ELECTRICAL 8 x G8 4W Halogen Lamp

SHADE Crystal Glass

STD OVERALL HEIGHT

24(610mm), 30(762MM), 36(914MM), 42(1067MM), 48(1219MM), 60(1524mm)

FINISH (SHOWN)

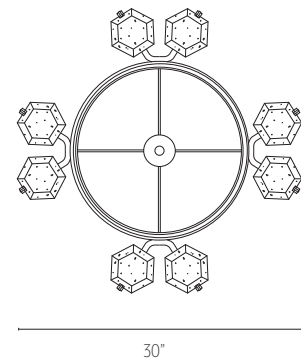
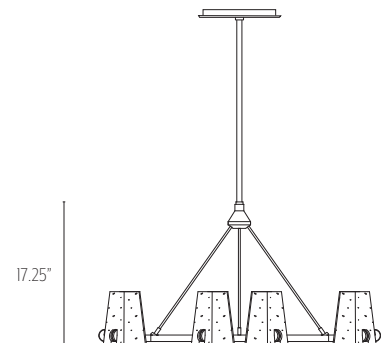
Champagne

OTHER INFORMATION

UL approved (or equivalent)

Bulbs not included

For more information and finishes, visit our website



DENNIS MILLER ASSOCIATES

200 Lexington Avenue Suite 1210 New York, NY 10016
212.684.0070 Fax.212.684.0776 www.dennismiller.com