



# To-Ji Pendant

## MODEL # 10601, 10602

Recalling a Chinese water bucket, the To-Ji is a study in simple serenity. Constructed with an elegant linen shade supported by a graceful arched yoke.

## MATERIALS

Brass

## FINISHES

Antiqued Boyd Brass, Blackened Brass, Gossamer Gold, Satin Brass, Satin Nickel.

## LAMPING

Incandescent To-Ji I uses one medium base, A21,100w max lamp. To-Ji II uses one, medium base, A21,150w max lamp. Compatible with LED Screw-in lamps. Lamps not included with fixture. LED GU24 Base lamping may be able to meet current energy legislation, available upon request.

## DIMENSIONS

Height Overall: 36"-54"; 91.4-137.2 cm

## WEIGHT

To-Ji Pendant I (10601)

Width 9.5" x H 18.37"

10 lbs

24.1 cm x 46.7 cm

4.5 kg

To-Ji Pendant II (10602)

Width 11.62" x H 24.12"

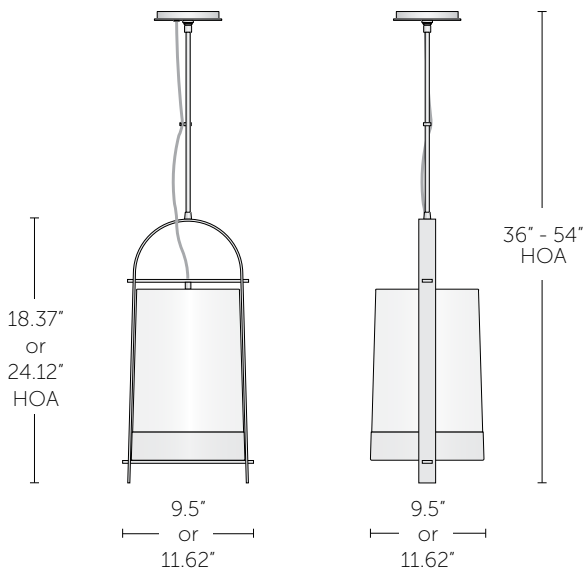
11 lbs.

29.5 cm x 61.3 cm

5 kg.

## NOTES

- UL listed (or equivalent) for damp locations.
- Canopy Dia. 6" x H 1.37", Dia. 15.2 cm x H 3.5 cm



**DENNIS MILLER NEW YORK**  
200 Lexington Avenue Suite 1210 New York, NY 10016  
212.684.0070 Fax.212.684.0776 www.dennismiller.com