

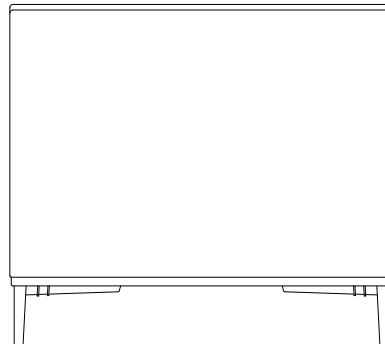
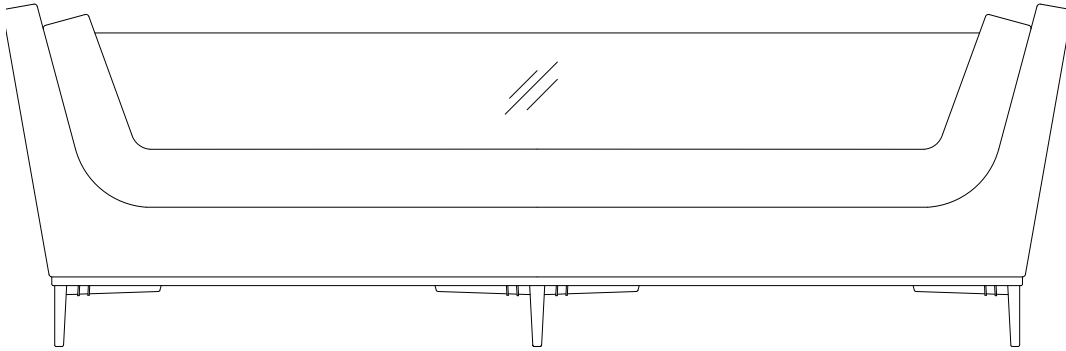
b

BAKER + HESSELDENZ

S T U D I O



VIEW SOFA



VIEW SOFA

The View Sofa, with its clear lucite back panel, will make a bold statement without demanding all the attention. It is equally suited for placement in the middle of a room or in front of a large picture window where it will never block the landscape.

Pictured with an ebonized walnut frame and French black bronze legs.

DIMENSIONS

92"W x 29"H x 34"D

Lucite 1"

COM: 12 YARDS / 54" goods / solid no repeat

Fabric must be railroaded

Fabric to approved by BH prior to upholstery

SIT: Medium Firm

14 -16 standard lead time

DENNIS MILLER ASSOCIATES
200 Lexington Avenue Suite 1210 New York, NY 10016
212.684.0070 Fax.212.684.0776 www.dennismiller.com

JH | NY

1546 South Euclid
Tucson, AZ 85713

520 . 760 . 0037
info@bakerhesseldenz.com
www.bakerhesseldenz.com