

ALTURA FURNITURE



NEXUS EXTENSION TABLE

84W x 40D x 29H

Shown in Burnt Ash.

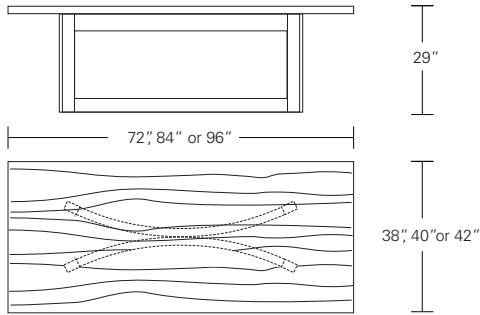
This refined table is supported by an unusually graceful base design created by the nexus of two curves. The extension version features pull-out end caps that support one additional leaf at each end.

Altura Furniture, Inc.

3500 N Mississippi Avenue, Portland, OR 97227 TEL 503 288 2228 FAX 503 288 2555 WEB alturafurniture.com

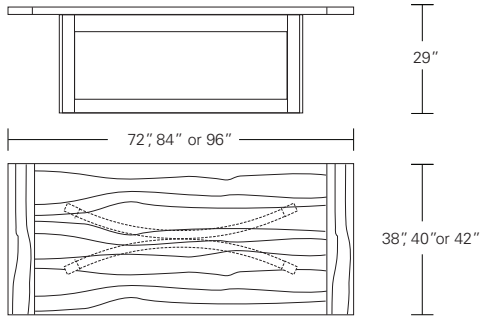
DENNIS MILLER ASSOCIATES

200 Lexington Avenue Suite 1210 New York, NY 10016
212.684.0070 Fax.212.684.0776 www.dennismiller.com



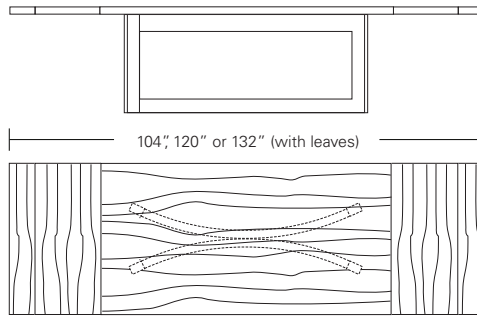
Nexus Table

72"W x 38"D x 29"H
 84"W x 40"D x 29"H
 96"W x 42"D x 29"H

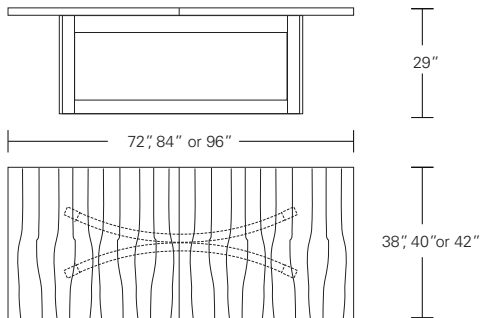


Nexus Extension Table E (with end caps)

72"W (104" w/two 16" leaves) x 38"D x 29"H
 84"W (120" w/two 18" leaves) x 40"D x 29"H
 96"W (132" w/two 18" leaves) x 42"D x 29"H

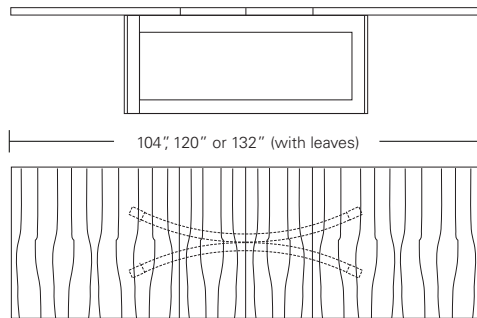


Nexus Extension Table E (with leaves)



Nexus Extension Table C (with leaves in center)

72"W (104" w/two 16" leaves) x 38"D x 29"H
 84"W (120" w/two 18" leaves) x 40"D x 29"H
 96"W (132" w/two 18" leaves) x 42"D x 29"H



Nexus Extension Table C (with leaves)

DESCRIPTION	FINISH OPTIONS			
<p>Nexus Table: Veneer top with solid wood or thick veneer edging. Curved base with solid wood vertical frame members.</p> <p>Custom Orders: Custom sizes, woods, veneer patterns and finishes are available. Please request a price quotation.</p>	<p>Standard Finishes</p>	<p>NATURAL</p> <p>Cherry, Mahogany, Maple, Walnut, Oak.*</p> <p>*At additional cost.</p>	<p>STAINED</p> <p>Medium Ash, Dark Ash, Burnt Ash, Ebonized Ash, Medium Cherry, Dark Cherry, Medium Mahogany, Ebonized Maple, Medium Walnut, Dark Walnut.</p>	<p>CERUSED</p> <p>Bleached Ash, Cerused Ash, Cerused Dark Ash, Cerused Mahogany, Cerused Dark Mahogany, Cerused Oak, Bleached Walnut, Cerused Walnut.</p>
		<p>Figured Veneers for Top Panel</p>	<p>Figured Ash, Bird's Eye Maple, Figured Maple.</p>	