



Cubes A, B, D in ECC | Natural  
Photo © Maison Gerard

## **Cube Collection** | Singles + Clusters

Bench - Coffee Table - Ottoman - Side Table - Stool

STACKLAB

DENNIS MILLER NEW YORK

T 212.684.0070 [dennismiller.com](http://dennismiller.com)

## Cube Collection | Singles + Clusters



Photo © Holiday House

The Cube Collection transforms the industrial legacy of sand-cast metal molding into modern, functional forms. Using molds that incorporate quarter sections of a decommissioned historic wooden water pump pattern, each of the four 16" x 16" x 16" Cubes is cast in Engineered Cementitious Composite (ECC) – a blend of recycled glass and fiber. These versatile pieces can be used individually as stools, tables, benches, or artworks, or grouped in clusters. An optional 24-karat gold gilding accentuates the industrial imprints on each Cube, paying homage to its origins.

With sustainability as the cornerstone, over 90 percent of the materials are non-virgin.

### MATERIALS

#### ECC Finish Options

ECC | 1000 Black

ECC | 1000 White

ECC | Clean Grey

ECC | Natural

24-Karat Gold (optional)

*Custom pigments available upon request*

### Weight

~45-65 lbs. per unit (varies, please inquire)

### Lead Time

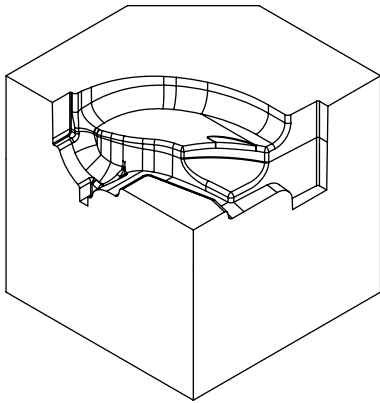
16-18 weeks



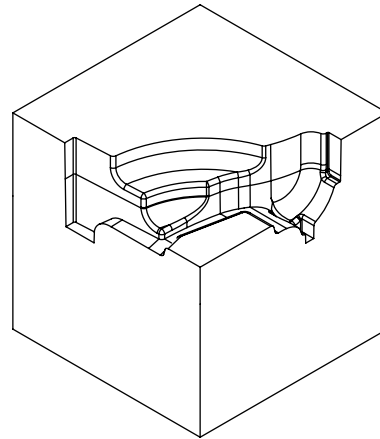
Use your mobile device to scan the QR code to go to our mobile site. Once there, activate the AR Experience by tapping "Augmented Reality."

\*Available on iOS devices

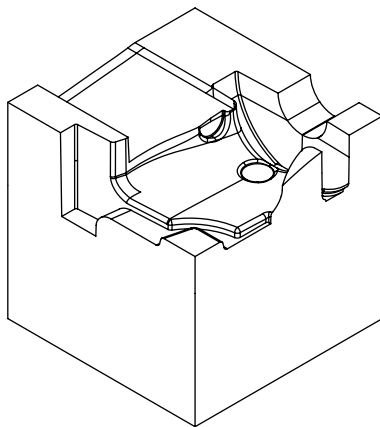
Cube Collection | Singles: Ottoman - Side Table - Stool



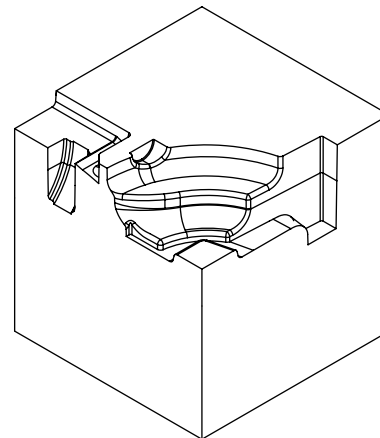
Type A



Type B



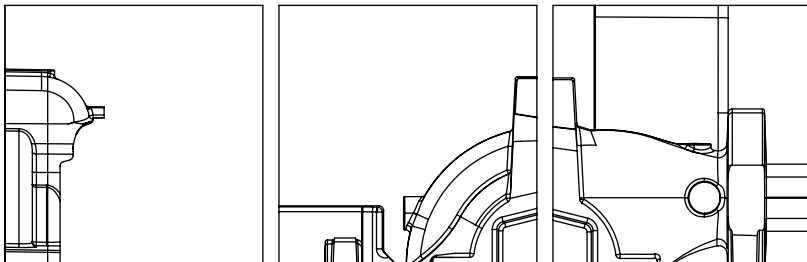
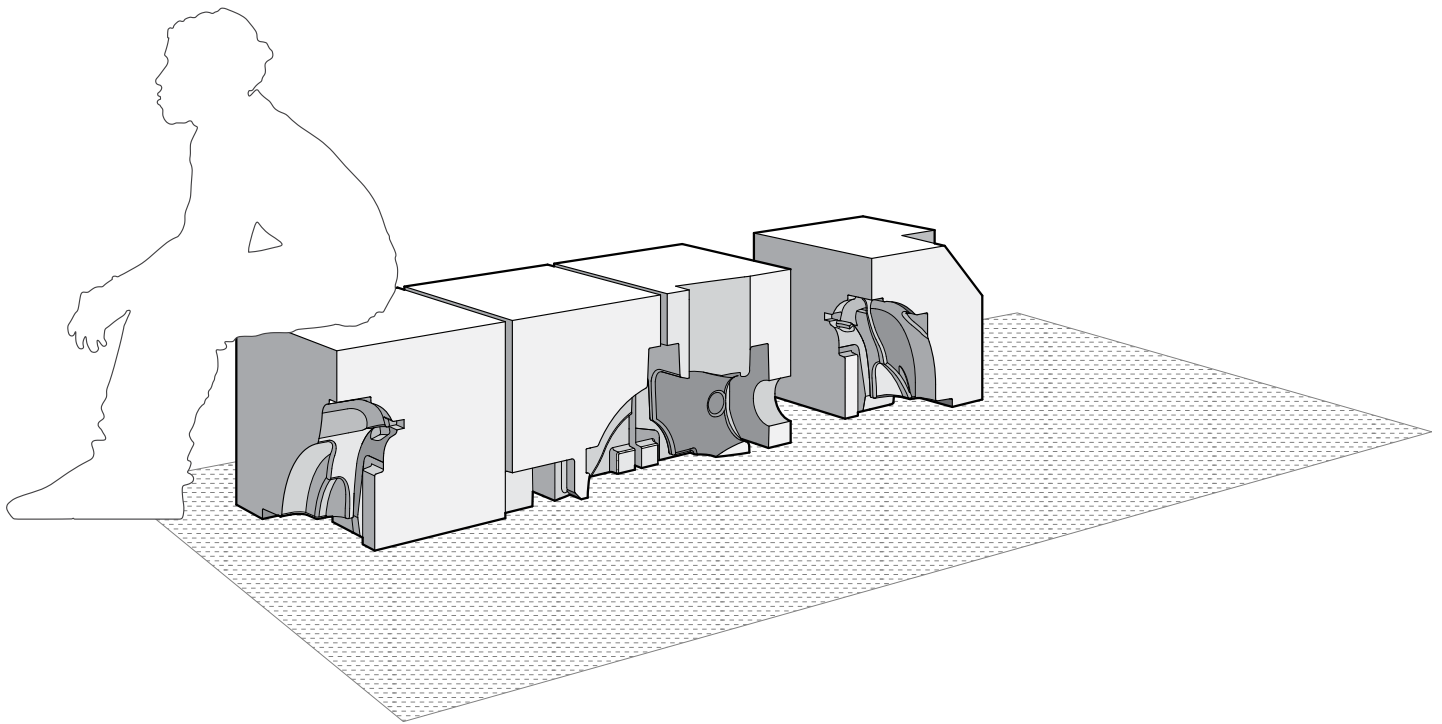
Type C



Type D

16" W x 16" D x 16" H

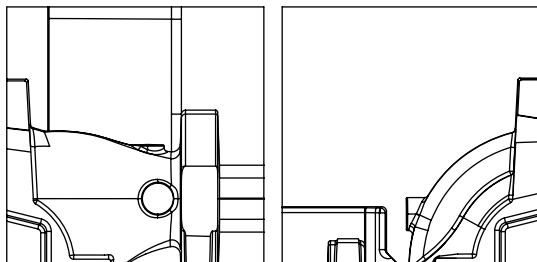
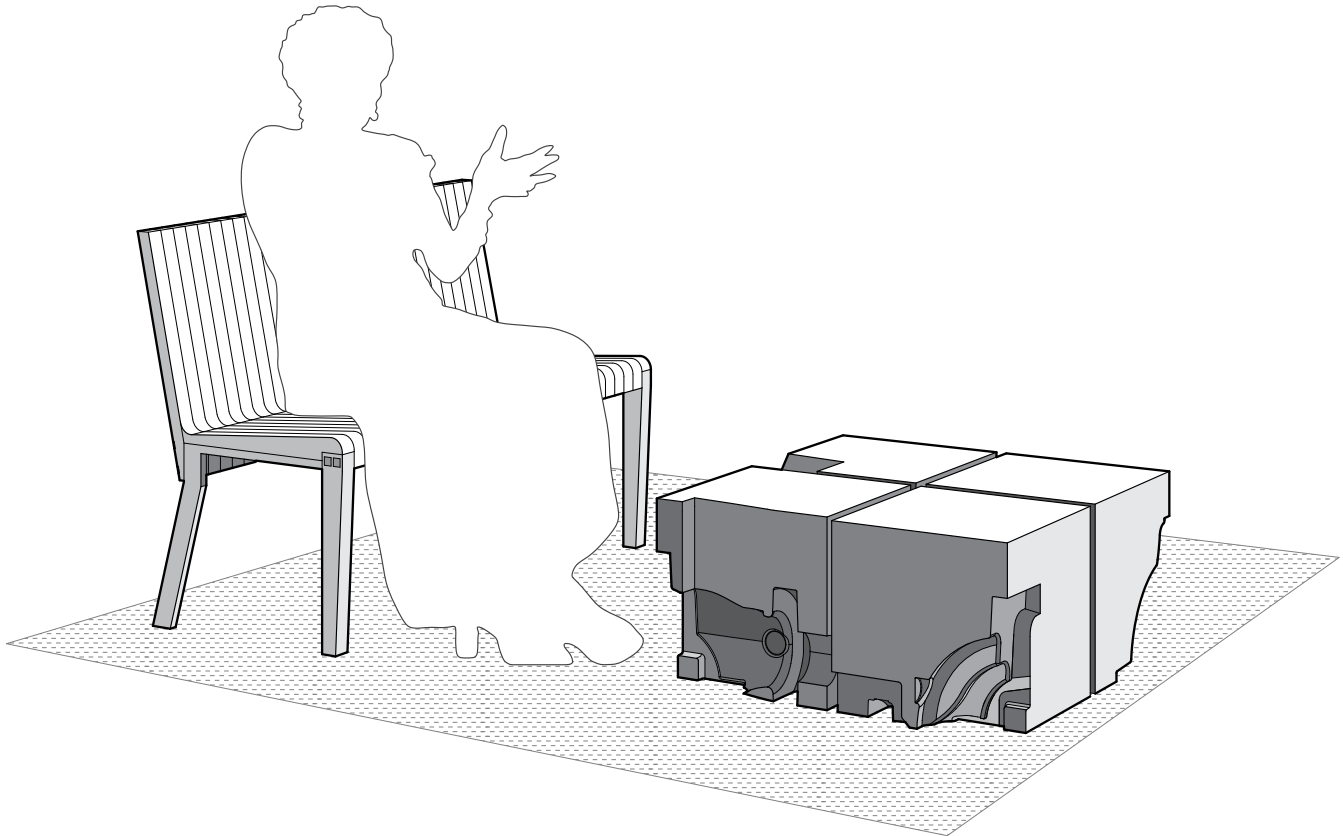
Cube Collection | Clusters: Bench



- 2 Cubes** 32" W x 16" D x 16" H
- 3 Cubes** 48" W x 16" D x 16" H
- 4 Cubes** 64" W x 16" D x 16" H

\*Cubes within clusters can be selected by type (A, B, C, or D)

Cube Collection | Clusters: Coffee Table



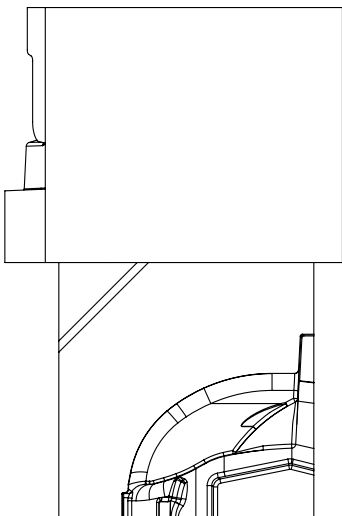
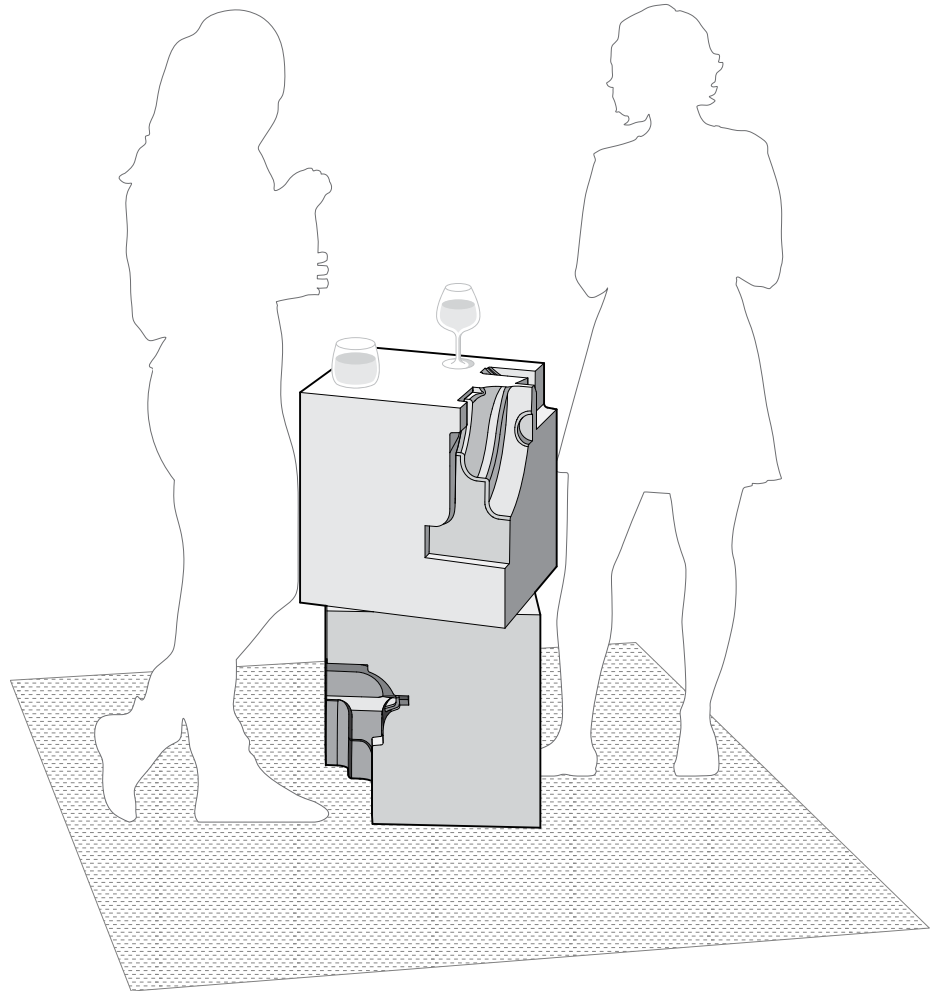
**2 Cubes** 32" W x 16" D x 16" H

**3 Cubes** 16" W x 48" D x 16" H

**4 Cubes** 32" W x 32" D x 16" H

\*Cubes within clusters can be selected by type (A, B, C, or D)

Cube Collection | Clusters: Tall Table

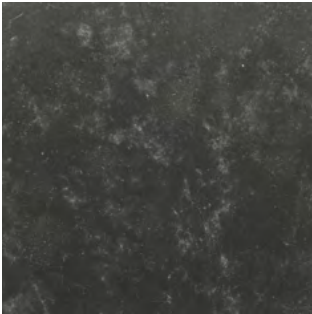


**2 Cubes** 16" W x 16" D x 32" H

\*Cubes within clusters can be selected by type (A, B, C, or D)

## Cube Collection | Singles + Clusters

### ECC Finish Options



ECC | 1000 Black



ECC | 1000 White



ECC | Clean Grey



ECC | Natural



24-Karat Gold

*\*Please note that colors may vary between production runs.*