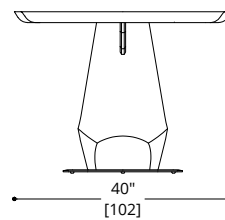
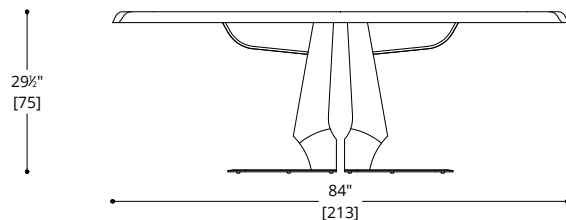
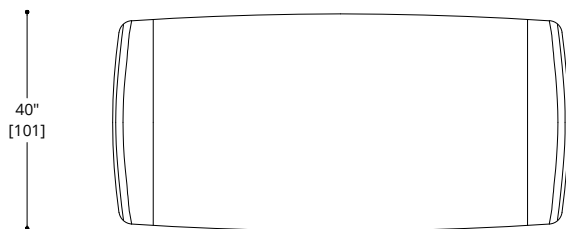


# ATELIER PURCELL

## HENLEY RECTANGULAR DINING TABLES



# ATELIER PURCELL

---

## HENLEY RECTANGULAR DINING TABLES

### TOP & BASE

Standard Walnut  
Standard Oak

### BASE PLATE

Standard Metal: Obsidian (SMO34),  
Brushed Aluminium (SMBA39),  
Polished Aluminium (SMPA38).



---

### NOTES:

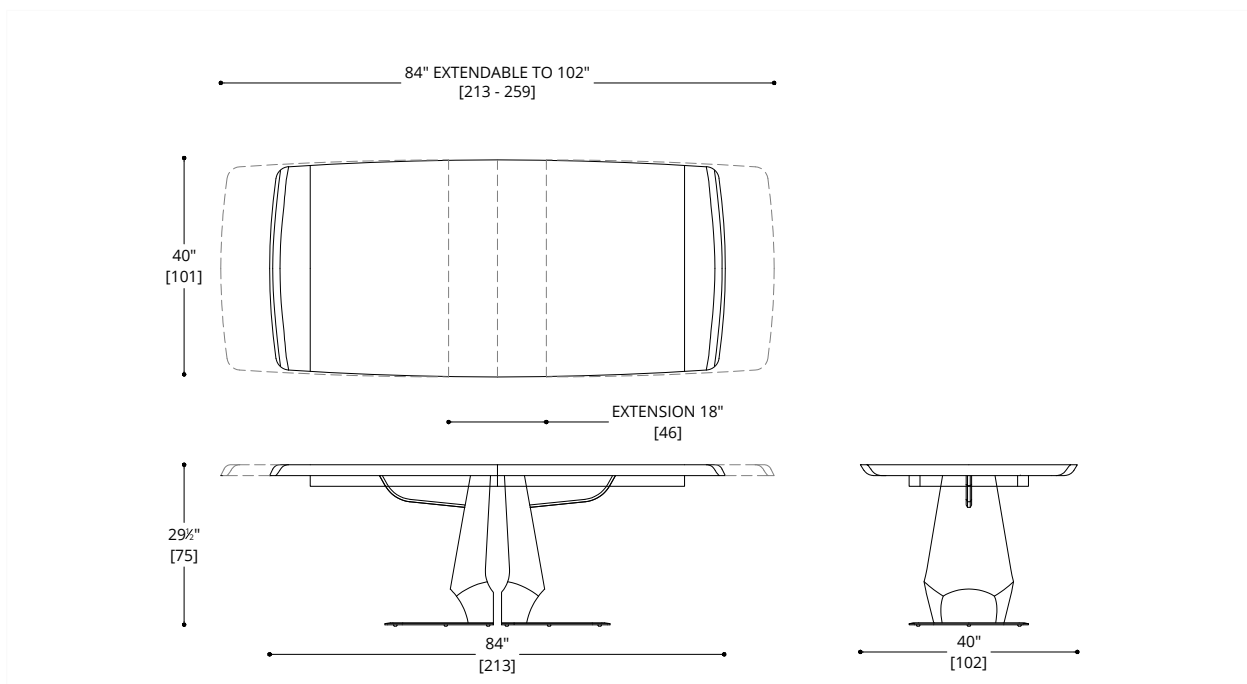
PLEASE CONFIRM DETAILS OF THIS TEAR SHEET WITH YOUR LOCAL SALES ASSOCIATE.

---

Purcell Design reserves the right to make technological and aesthetic improvements to its models, including changes to the sizes and materials, without notice. The technical drawings do not define the details of the product. The measurements shown are indicative and may undergo changes. In particular, the dimensions relevant to the padded parts are subject to usage tolerances over time caused by the normal adjustment of the padding. For specific information, please contact us directly or the dealer closest to you.

# ATELIER PURCELL

## HENLEY RECTANGULAR DINING TABLES



# ATELIER PURCELL

---

## HENLEY RECTANGULAR DINING TABLES

### TOP & BASE

Standard Walnut  
Standard Oak

### BASE PLATE

Standard Metal: Obsidian (SMO34),  
Brushed Aluminium (SMBA39),  
Polished Aluminium (SMPA38).



---

### NOTES:

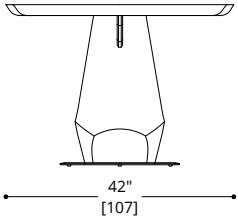
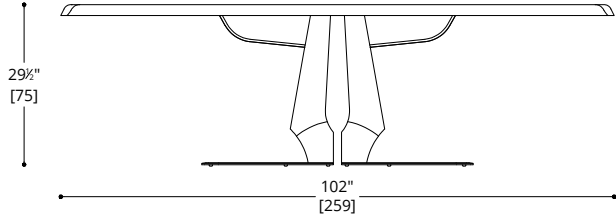
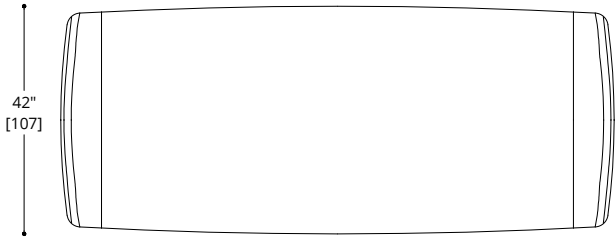
PLEASE CONFIRM DETAILS OF THIS TEAR SHEET WITH YOUR LOCAL SALES ASSOCIATE.

---

Purcell Design reserves the right to make technological and aesthetic improvements to its models, including changes to the sizes and materials, without notice. The technical drawings do not define the details of the product. The measurements shown are indicative and may undergo changes. In particular, the dimensions relevant to the padded parts are subject to usage tolerances over time caused by the normal adjustment of the padding. For specific information, please contact us directly or the dealer closest to you.

# ATELIER PURCELL

## HENLEY RECTANGULAR DINING TABLES



# ATELIER PURCELL

---

## HENLEY RECTANGULAR DINING TABLES

### TOP & BASE

Standard Walnut  
Standard Oak

### BASE PLATE

Standard Metal: Obsidian (SMO34),  
Brushed Aluminium (SMBA39),  
Polished Aluminium (SMPA38).



---

### NOTES:

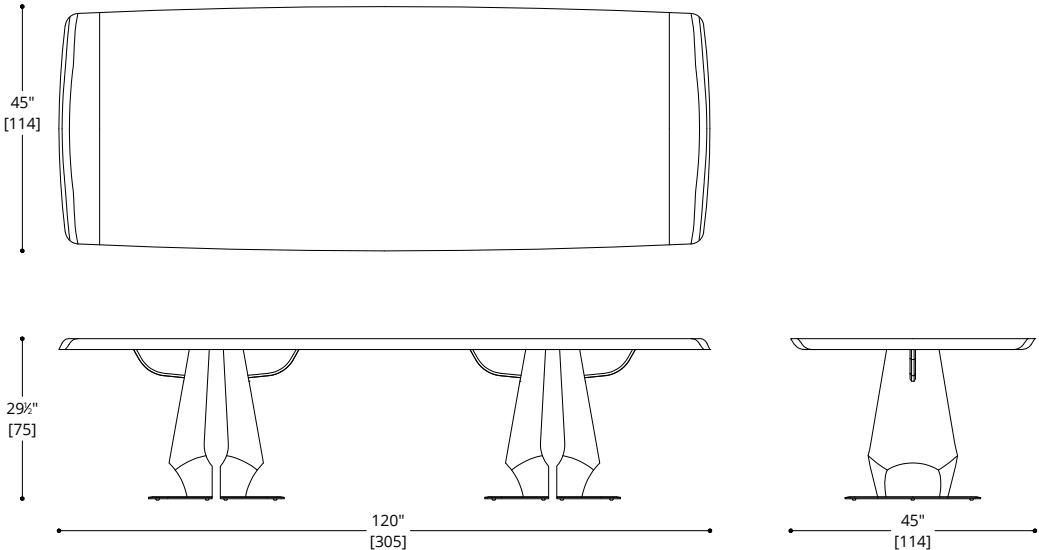
PLEASE CONFIRM DETAILS OF THIS TEAR SHEET WITH YOUR LOCAL SALES ASSOCIATE.

---

Purcell Design reserves the right to make technological and aesthetic improvements to its models, including changes to the sizes and materials, without notice. The technical drawings do not define the details of the product. The measurements shown are indicative and may undergo changes. In particular, the dimensions relevant to the padded parts are subject to usage tolerances over time caused by the normal adjustment of the padding. For specific information, please contact us directly or the dealer closest to you.

# ATELIER PURCELL

## HENLEY RECTANGULAR DINING TABLES



# ATELIER PURCELL

---

## HENLEY RECTANGULAR DINING TABLES

### TOP & BASE

Standard Walnut  
Standard Oak

### BASE PLATE

Standard Metal: Obsidian (SMO34),  
Brushed Aluminium (SMBA39),  
Polished Aluminium (SMPA38).



---

### NOTES:

PLEASE CONFIRM DETAILS OF THIS TEAR SHEET WITH YOUR LOCAL SALES ASSOCIATE.

---

Purcell Design reserves the right to make technological and aesthetic improvements to its models, including changes to the sizes and materials, without notice. The technical drawings do not define the details of the product. The measurements shown are indicative and may undergo changes. In particular, the dimensions relevant to the padded parts are subject to usage tolerances over time caused by the normal adjustment of the padding. For specific information, please contact us directly or the dealer closest to you.