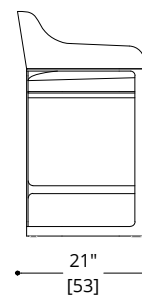
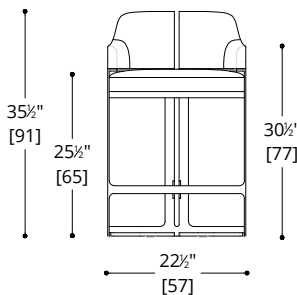
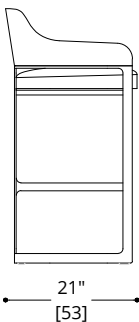
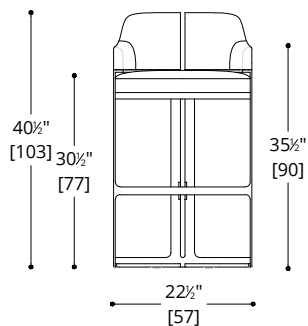
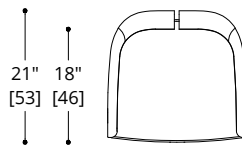
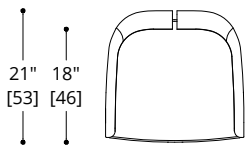


ATELIER PURCELL

PADUS COUNTER & BAR STOOL



ATELIER PURCELL

PADUS COUNTER & BAR STOOL

LEGS

Standard Metal: Bronze (SMB30),
Dark Bronze (SMDB31), Brushed Brass
(SMBB33), Obsidian (SMO34),
Brushed Stainless Steel (SMBS35).

COUNTER STOOL

COM Required: 2.7 m [3 yd]

COL Required: 5 m² [54 ft²]

BAR STOOL

COM Required: 2.7 m [3 yd]

COL Required: 5 m² [54 ft²]

Orders requiring a faster than standard
14-18 weeks lead time, please contact
your local showroom for a rush fee
quote.



NOTES:

PLEASE CONFIRM DETAILS OF THIS TEAR SHEET WITH YOUR LOCAL SALES ASSOCIATE.

Purcell Design reserves the right to make technological and aesthetic improvements to its models, including changes to the sizes and materials, without notice. The technical drawings do not define the details of the product. The measurements shown are indicative and may undergo changes. In particular, the dimensions relevant to the padded parts are subject to usage tolerances over time caused by the normal adjustment of the padding. For specific information, please contact us directly or the dealer closest to you.