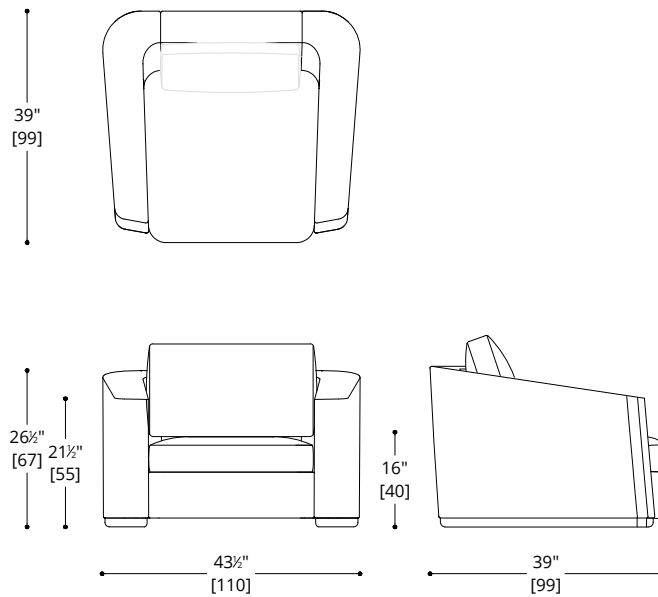


ATELIER PURCELL

TUYA LOUNGE CHAIR WITH LOOSE SEAT



ATELIER PURCELL

TUYA LOUNGE CHAIR WITH LOOSE SEAT



BASE

All Standard Wood

COM Required

Base & Back: 6 m [6.5yd]

Seat: 1.8m [2 yd]

Back Pillow: 1 m [1 yd]

COL Required

Base & Back: 10.8 m² [117 ft²]

Seat: 3.4 m² [36 ft²]

Back Pillow: 1.7 m² [1 ft²]



NOTES:

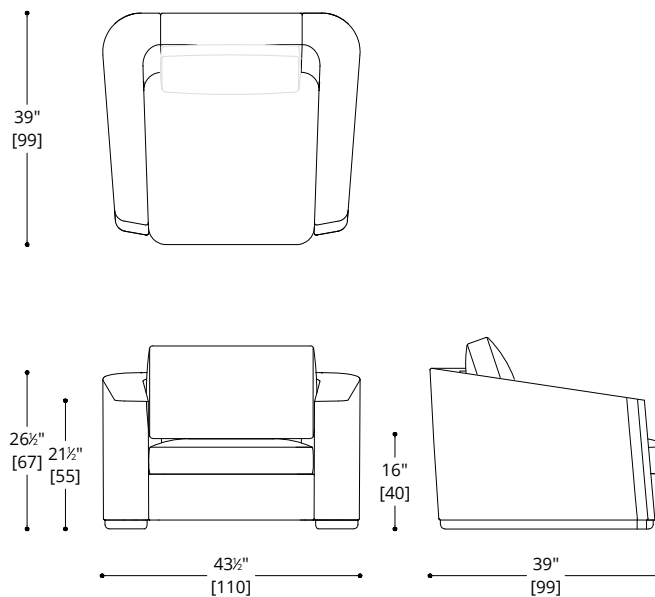
PLEASE CONFIRM DETAILS OF THIS TEAR SHEET WITH YOUR LOCAL SALES ASSOCIATE.

Purcell Design reserves the right to make technological and aesthetic improvements to its models, including changes to the sizes and materials, without notice. The technical drawings do not define the details of the product. The measurements shown are indicative and may undergo changes. In particular, the dimensions relevant to the padded parts are subject to usage tolerances over time caused by the normal adjustment of the padding. For specific information, please contact us directly or the dealer closest to you.

ALL DESIGNS ARE PROTECTED BY COPYRIGHT AND THE TRADEMARK LAWS OF THE U.S. & U.K - 2018 ATELIER PURCELL A PURCELL DESIGN COMPANY - INFO@ATELIERPURCELL.COM

ATELIER PURCELL

TUYA LOUNGE CHAIR



ATELIER PURCELL

TUYA LOUNGE CHAIR

BASE

All Standard Wood

COM Required

Base & Back: 6 m [6.5yd]

Seat: 1.4m [1.5 yd]

Back Pillow: 1 m [1 yd]

COL Required

Base & Back: 10.8 m² [117 ft²]

Seat: 2.5 m² [27 ft²]

Back Pillow: 1.7 m² [1 ft²]



NOTES:

PLEASE CONFIRM DETAILS OF THIS TEAR SHEET WITH YOUR LOCAL SALES ASSOCIATE.

Purcell Design reserves the right to make technological and aesthetic improvements to its models, including changes to the sizes and materials, without notice. The technical drawings do not define the details of the product. The measurements shown are indicative and may undergo changes. In particular, the dimensions relevant to the padded parts are subject to usage tolerances over time caused by the normal adjustment of the padding. For specific information, please contact us directly or the dealer closest to you.