

# Santa Fe Sconce

## MODEL # 10698

Ambient light reveals itself from behind the folds of asymmetrical, hand-finished bronze. Santa Fe is made-to-order by hand in Colorado. Designed by Deirdre Jordan.

## MATERIALS

Hand-finished brass.

## FINISHES

Burnished Bronze (shown) and Cloud (shown).

## LAMPING

6.3 watt LED lamps (included) offer 2700°k, 90+ CRI illumination, consuming ~400 lumens at 120 or 277v. Upcharges apply for dimming.

## DIMENSIONS

W 13<sup>5</sup>/<sub>8</sub>" x H 7<sup>1</sup>/<sub>4</sub>" x D 2<sup>3</sup>/<sub>8</sub>"

W 34.6 cm x H 18.4 cm x D 60 mm

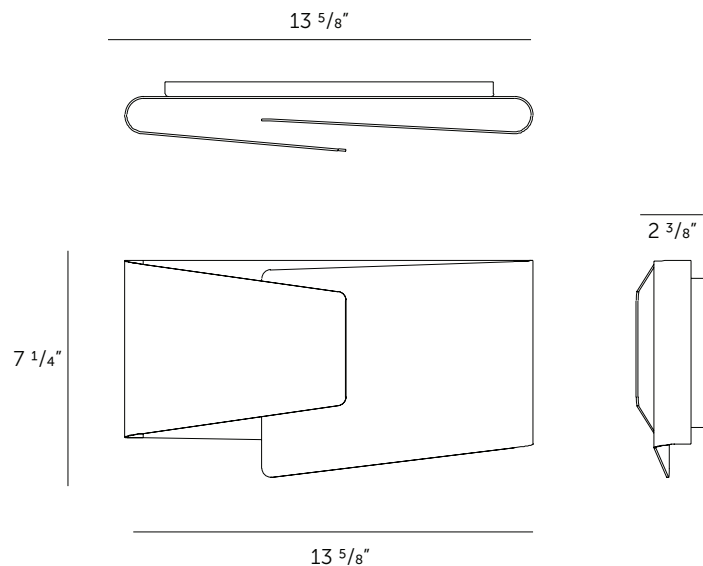
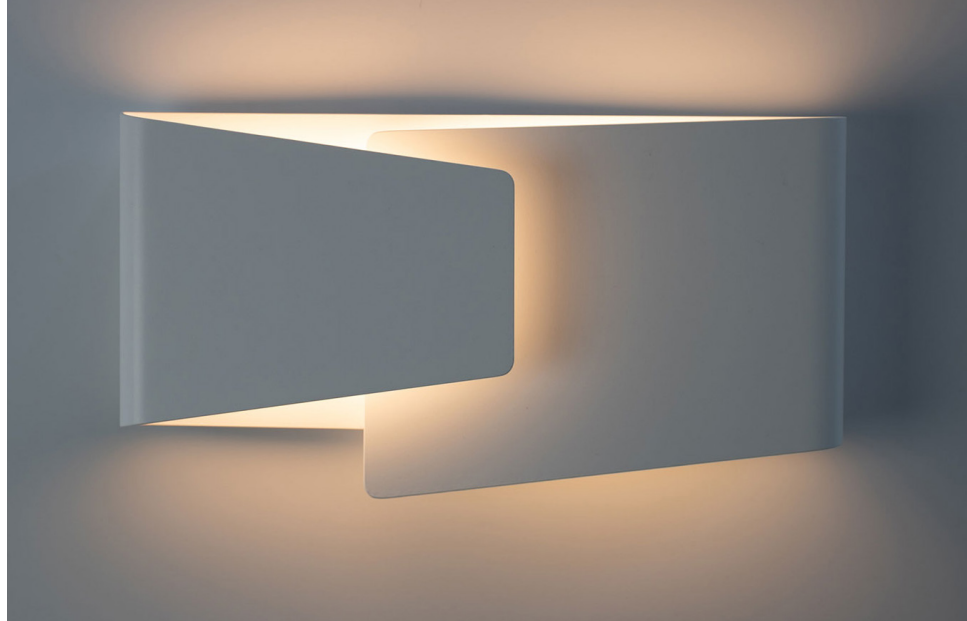
## WEIGHT

5 lbs.

2.3 kg.

## NOTES

- Backplate: W 11" x H 5" (27.9 cm x 12.7 cm)
- Center of outlet box to top of fixture: 3<sup>1</sup>/<sub>4</sub>" (83 mm)
- Lead Time 6-7 weeks
- ADA compliant at any mounting height
- UL listed (or equivalent) for damp locations



DENNIS MILLER ASSOCIATES  
200 Lexington Avenue Suite 1210 New York, NY 10016  
212.684.0070 Fax.212.684.0776 www.dennismiller.com