



Shown: 6.75"Ø model in Deep brown oxide and Helbeige glass.

**MODEL NUMBER**

2010

**DESCRIPTION**

Fixed height, surface mount. Mold blown glass shade with copper glass supports & ceiling plate.

**FINISH**

Deep brown oxide, Deep black oxide, or Satin Nickel.

**MOLD BLOWN GLASS**

Helbeige, Opal white, Quicksilver or Woodsmoke.  
(Inside acid etch).

**DIMENSIONS**

2010.4.5

4.5"Ø x 8.5" fixed height.

Ceiling Plate: 4.5"Ø x .25"D

**NET WT**

5 lbs.

2010.6.75

6.75"Ø x 12" fixed height.

Ceiling Plate: 4.5"Ø x .25"D

10 lbs.

2010.9

9"Ø x 16" fixed height.

Ceiling Plate: 4.5"Ø x .25"D

14 lbs.

**VOLTAGE / LAMP TYPE**

2010.4.5

120V, 9W, GU24 base, A19 LED lamp, frosted.

2,700°K, 92 CRI, 800 lumens.

2010.6.75

120V, 17W, E26 base, A21 LED lamp, frosted.

2,700°K, 92 CRI, 1,600 lumens.

2010.9

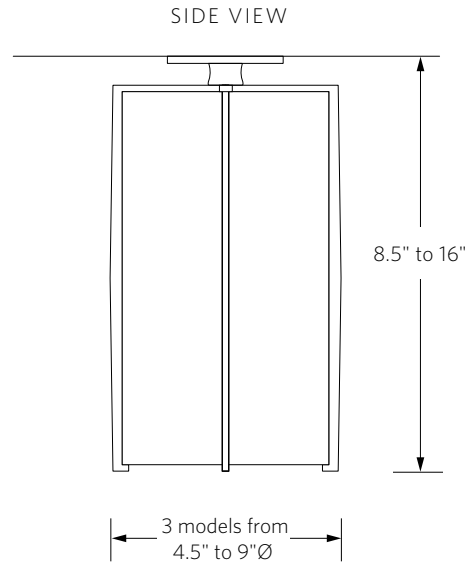
120V, 17W, E26 base, A21 LED lamp, frosted.

2,700°K, 92 CRI, 1,600 lumens.

CA Title 24-JA8-2016

**PLEASE SPECIFY**

Size, finish & shade color.



Ceiling plate

