



Shown: Natural brass and Opal glass.

MODEL NUMBER
3610

DESCRIPTION
Mold blown glass shade, etched Pyrex diffuser,
brass ceiling plate & hardware.

FINISH
Natural Brass, Deep black oxide, Deep brown oxide
or Satin Nickel.

MOLD BLOWN GLASS
Helbeige, Opal white, Quicksilver or Woodsmoke.
Etched Pyrex diffuser.

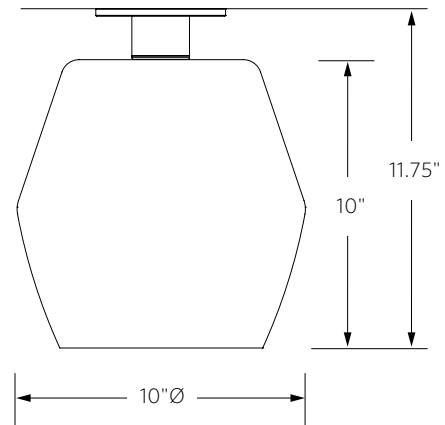
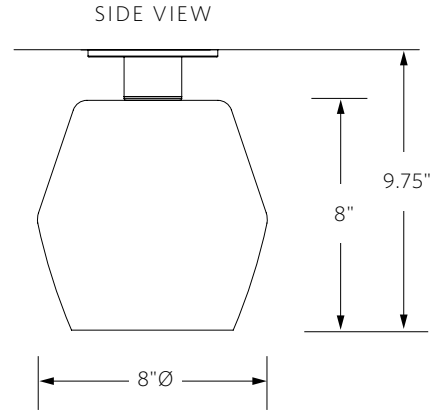
DIMENSIONS	NET WT
3610.8	
8"Ø x 9.75" fixed height	5 lbs.
Ceiling Plate: 4.5"Ø x .25"D	
Shade: 8"Ø x 8"H	

3610.10	
10"Ø x 11.75" fixed height	7 lbs.
Ceiling Plate: 4.5"Ø x .25"D	
Shade: 10"Ø x 10"H	

VOLTAGE / LAMP TYPE
120V, 6W, E12 base, LED lamp.
2,700°K, 90+ CRI, 600 lumens.

CA Title 24-JA8-2016

PLEASE SPECIFY
Size, finish & shade color.



Ceiling plate

