

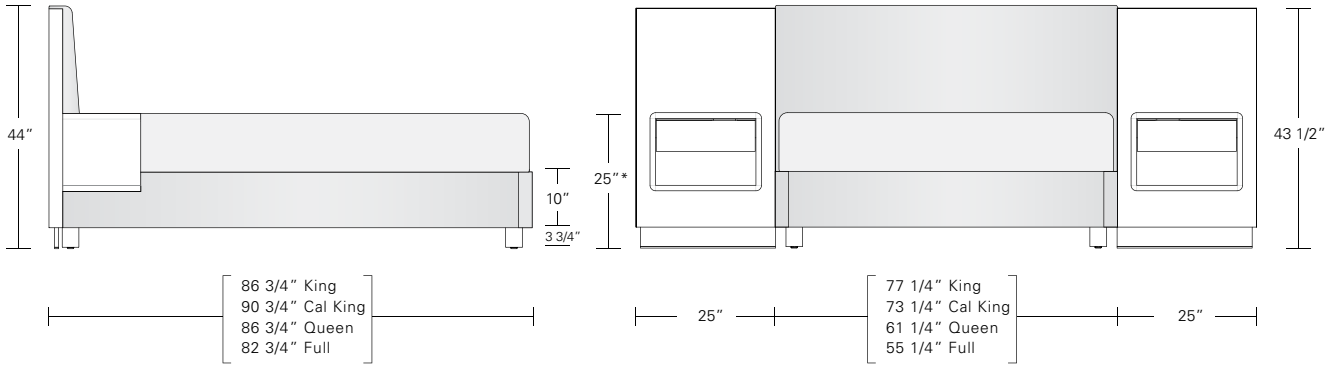


NAPA BED - RECESSED BASE

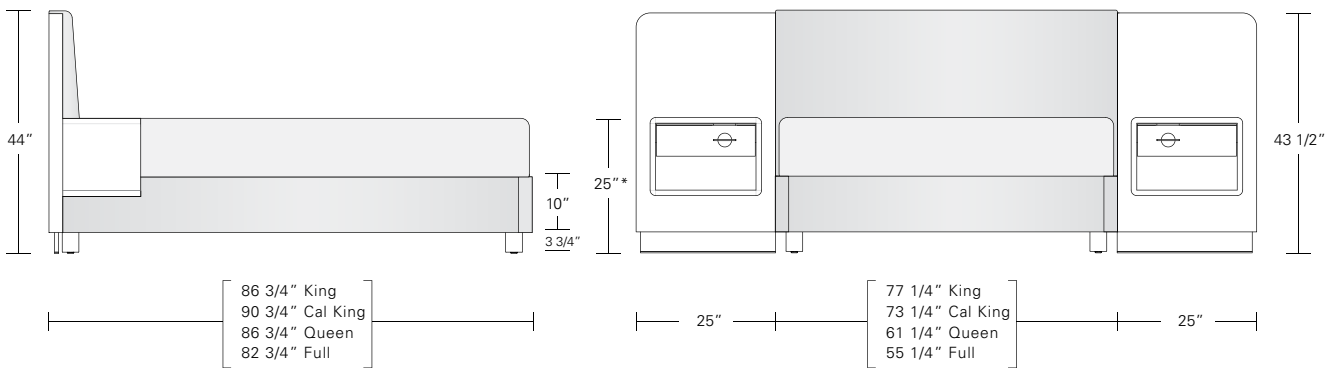
KING 77.25W x 86.75D x 44H

Shown in Walnut and COM

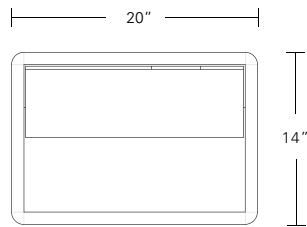
The Napa Bed features fully upholstered bed rails and headboard set on four solid wood round feet or a recessed wood base as shown. Napa is the ultimate modern sleeping solution. Available as an ensemble with flanking wood side panels and wall hung cabinets in a variety of finishes.



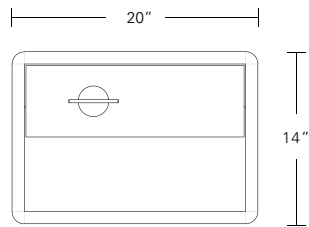
Napa Bed Ensemble 1 - Square Corners on Headboard, Night Cabinet 1



Napa Bed Ensemble 2 - Rounded Corners on Headboard, Night Cabinet 2



Napa Bed Night Cabinet 1 - Linear Tab Pull on top of drawer
 * 25" table height can be adjusted to mattress height



Napa Bed Night Cabinet 2 - Recessed Tab Pull in drawer face
 * 25" table height can be adjusted to mattress height

DESCRIPTION	FINISH OPTIONS	
<p>Napa E1 & E2: Fully upholstered footboard, rails, headboard. Solid wood round feet with levelers.</p> <p>Napa Side Panels: Veneered panel with thick veneer edges and cleats. Napa 1 or 2 with square or radiused corners. Recessed baseboard.</p> <p>Napa Side Cabinets: Veneer cabinets with solid wood corners. Drawers with Napa 1 or 2 hardware. Optional power hub types.</p> <p>Standard Options: Napa 1 or 2. COM or COL. Power hub in cabinet back, or drawer. Finished back panel on bed.</p> <p>Custom Orders: Custom size bed, side panels, cabinets, base height, woods and finishes. Please request a price quotation.</p>	<p>Standard - Natural / Stained:</p> <p>Bronze Ash, Burnt Ash, Ebonized Ash, Grey Ash, Medium Mahogany, Oak, Bluff Oak, Grey Oak, Fumed Oak, Ebonized Oak, Walnut, Medium Walnut, Dark Walnut, Ebonized Walnut, Grey Walnut, Silver Walnut, Terra Walnut, Bronze Walnut, Claro Toned Walnut.</p>	<p>Premium - Cerused / Bleached:</p> <p>Bleached Ash, Cerused Grey Ash, Cerused Bronze Ash, Cerused Burnt Ash, Cerused Mahogany, Cerused Dark Mahogany, Bleached Walnut, Cerused Walnut, Cerused Grey Walnut, Cerused Silver Walnut, Cerused Bronze Walnut, Cerused Oak, Bleached Oak.</p>
	<p>Fabric and Leather Requirements</p> <p>COM: Headboard 2 1/2 yards. Headboard and Finished Back Panel 5 yards. Rails 5 yards. Repeats and fabric less than 54" wide may require additional yardage.</p> <p>COL: Headboard 45 sq ft. Headboard and Finished Back Panel 90 square feet. Rails 90 square feet. Hides need to be 50-55 square feet. Smaller hides may require additional square feet.</p>	