



Shown: Natural brass and Opal white glass

MODEL NUMBER
3540

DESCRIPTION
Fabricated brass with Mold blown glass shade.

FINISH
Deep black oxide, Satin nickel or Natural brass.

MOLD BLOWN GLASS
Helbeige, Opal white, Quicksilver or Woodsmoke
(Inside acid etch).

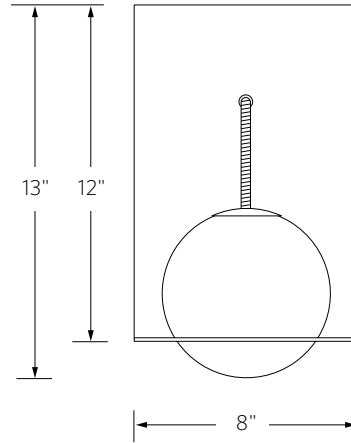
DIMENSIONS **NET WT**
Fixture: 8"W x 12"H x 6.75"D 5 lbs.
Shade: 6" Ø
Fixture centers on j-box.

VOLTAGE / LAMP TYPE
120V, 6W, G9 base, LED.
2,700°K, 90+ CRI, 600 lumens.

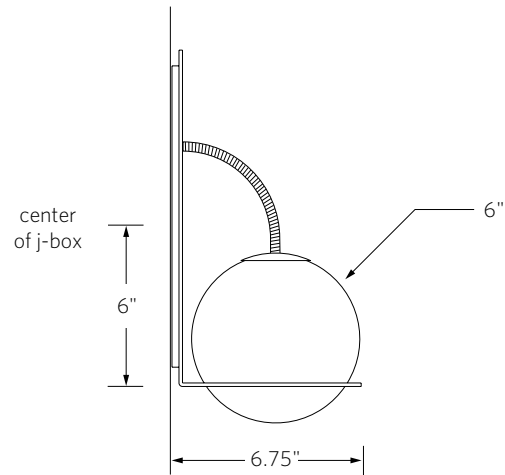
CA Title 24-JA8-2016

PLEASE SPECIFY
Finish, shade color.

FRONT



SIDE



TOP

